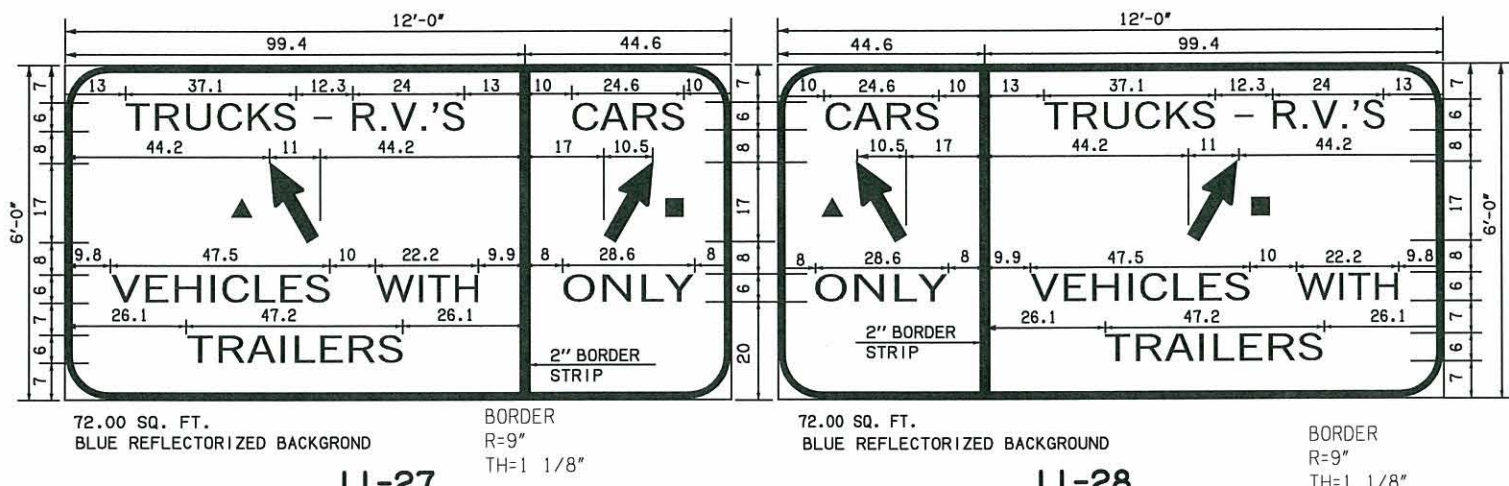
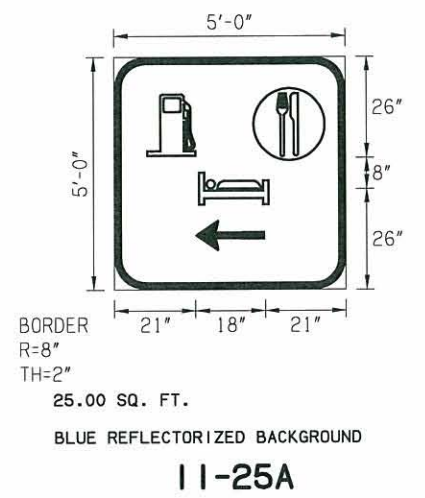


11-25

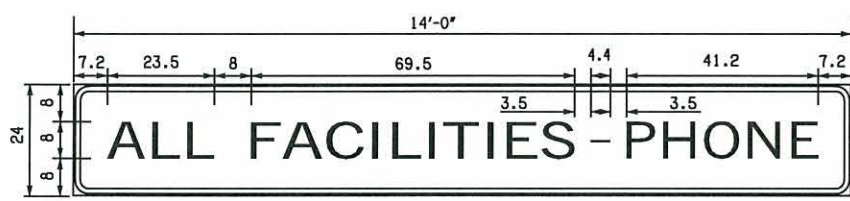


11-27

11-28

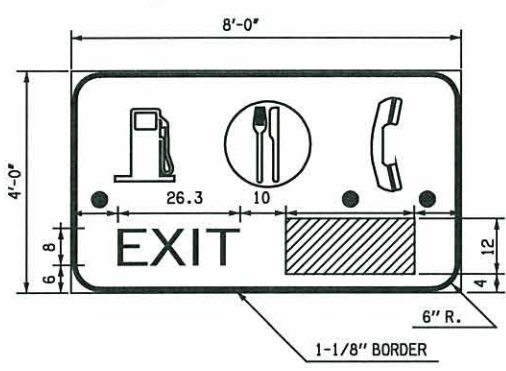


11-25A

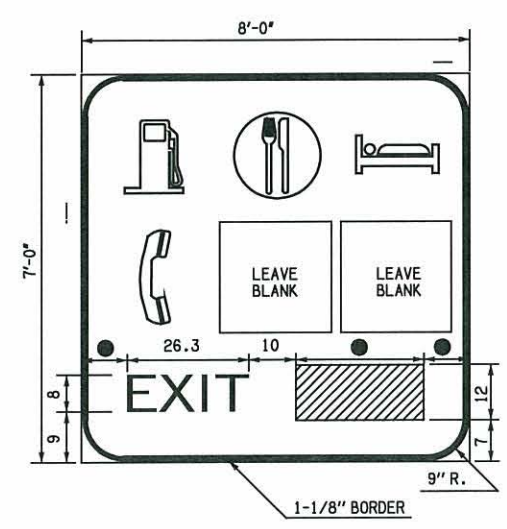


11-29

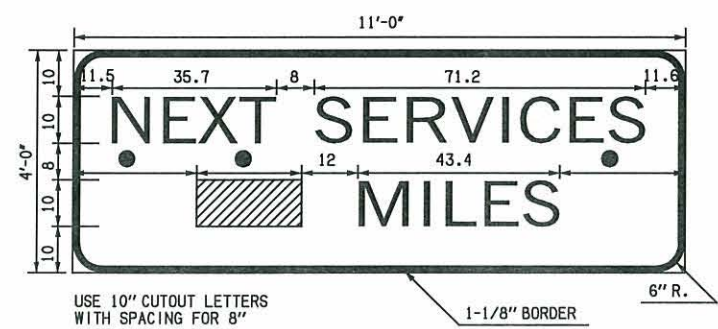
RADIUS ..... 3"  
 BORDER ..... 1-1/8"  
 SQ. FT. .... 28.00  
 BACKGROUND ..... BLUE REFLECTORIZED  
 LEGEND & BORDER ..... WHITE



D9-18b



D9-18b

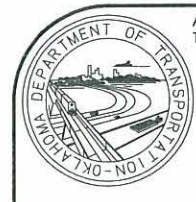


D9-17P

USE 10" CUTOUT LETTERS WITH SPACING FOR 8"

- DIMENSIONS VARY WITH THE NUMBER OF MILES OR EXIT NUMBER AND SHOULD BE ADJUSTED TO BALANCE THE SPACE FROM THE BEGINNING AND END OF THE MESSAGE TO THE EDGE OF THE SIGN.
  - RIGHT ARROW: 8" X 18" AT 80°
  - ▲ LEFT ARROW: 8" X 18" AT 60°
- ALL PANEL SIGNS SHALL USE TYPE '111' REFLECTORIZED SHEETING.  
 ALL DIMENSIONS ARE IN INCHES UNLESS OTHERWISE NOTED OR SHOWN.

BASIS OF PAYMENT		
ITEM NO.	ITEM	UNIT
850(B)	EXTRUDED ALUMINUM PANEL SIGNS	SF



APPROVED BY  
 TRAFFIC ENGINEER: *Thord Smah* DATE: *8/3/10*  
 TRAFFIC STANDARD

STANDARD INTERSTATE INFORMATIONAL SIGNS (FACILITIES)